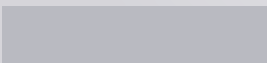




AVAILABLE COLOURS



316 STAINLESS STEEL

5W RGBW/RGBA/TW IP67

CC LED DOWNLIGHT

Setting the bar for lighting excellence, with a high performance mix-at-source multi-chip LED housed in a precision engineered anodised aluminium housing and 316 Stainless Steel bezel, perfect for exterior applications.

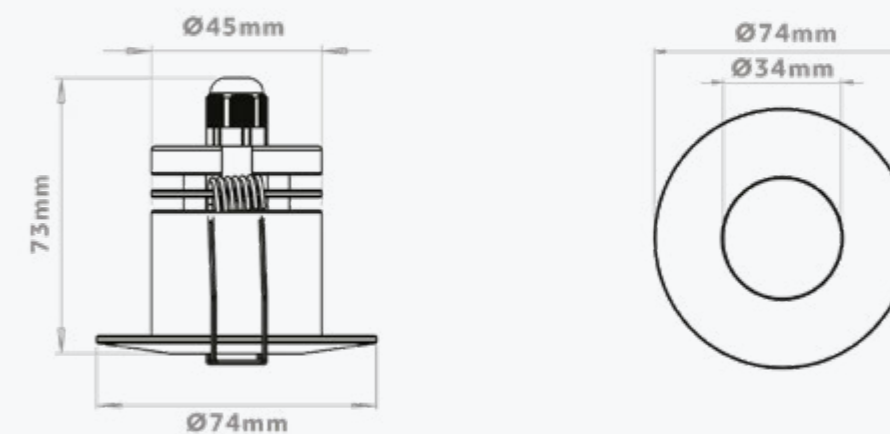
The lighting professionals' downlight of choice.

Compatible With : 350mA DMX Drive

TECHNICAL SPECIFICATIONS

- Channels **4Ch**
- Wattage **4.8W**
- Input Current **350mA**
- IP Rating **IP67**
- LED Type **RGBW /RGBA / TW**
- Housing Cut Out **45mmØ**
- Lens Options **15°/25°/40°**
- LED Connection **RJ45**
- Lumen Output **284lm [RGBW] / 227lm [RGBA] / 446lm [TW]**
- Operating Temp Range **-20 to 50 °C**

DIMENSIONS



OPTIONAL LENSES



- Our lens options are:
- 15° : Narrow Beam Angle**
 - 25° : Medium Beam Angle**
 - 40° : Wide Beam Angle**